



Vendor: Cisco

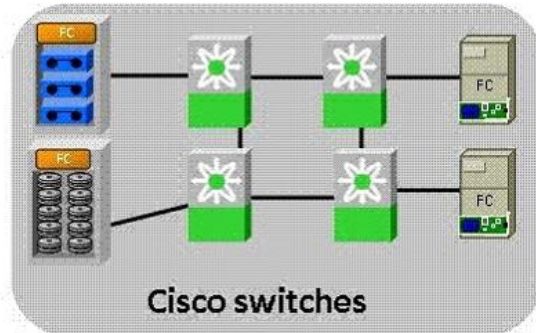
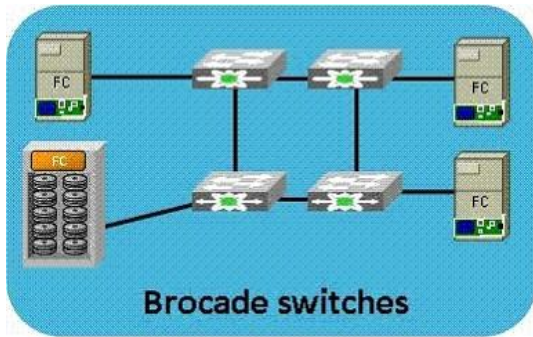
Exam Code: 642-357

Exam Name: Designing Cisco Storage Network Solutions
(DCSNS)

Version: DEMO

QUESTION 1

Refer to the exhibit. A customer is scaling the existing SAN with four Cisco MDS 9513 directors. The current topology includes 4 x 32-port Brocade switches that will remain part of the network indefinitely. What is the appropriate interoperability mode if the customer wants to take advantage of all functionalities on the Cisco and Brocade switches?



- A. interop mode 1
- B. interop mode 2
- C. interop mode 3
- D. interop mode 4

Answer: C

QUESTION 2

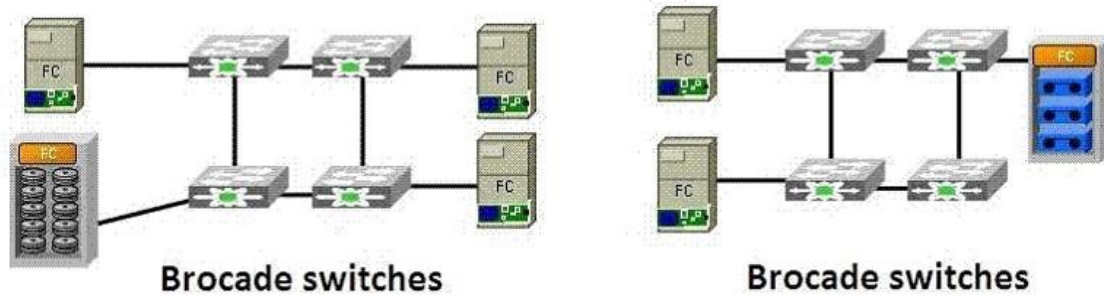
What is one benefit of using VLANs with an FCIP deployment?

- A. Different IP subnets can be used for different FCIP sessions through a single GE interface.
- B. The 18/4 MSM can route between VLANs, thus providing inter-FCIP connectivity.
- C. IP subnet can be reused across different FCIP sessions.
- D. FCIP and iSCSI can be deployed in different VLANs.

Answer: A

QUESTION 3

Refer to the exhibit. A customer has two sites with separate SAN setups and Brocade switches. The customer is considering using the sites for disaster recovery purposes and needs to connect them. The sites are about 150 km apart. The bandwidth required is estimated to be less than 800 Mb/s. What is the most cost-effective solution?

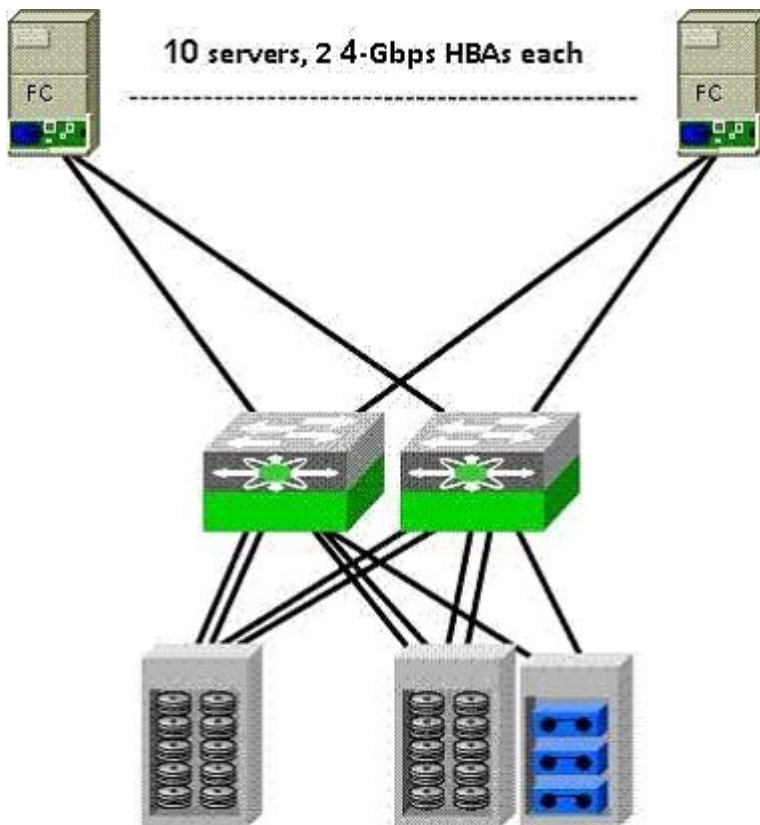


- A. Connect the Brocade switches directly with Fibre Channel links and set the maximum amount of BB_Credits.
- B. Use DWDM connectivity, available from the local telco provider.
- C. Add Cisco MDS 9222i switches and use FCIP connectivity between the two sites.
- D. Add Cisco MDS 9124 switches and connect them directly with optical links by taking advantage of their extended amount of BB_Credits.

Answer: C

QUESTION 4

Refer to the exhibit. Which two types of device would be used for minimum connectivity? (Choose two.)



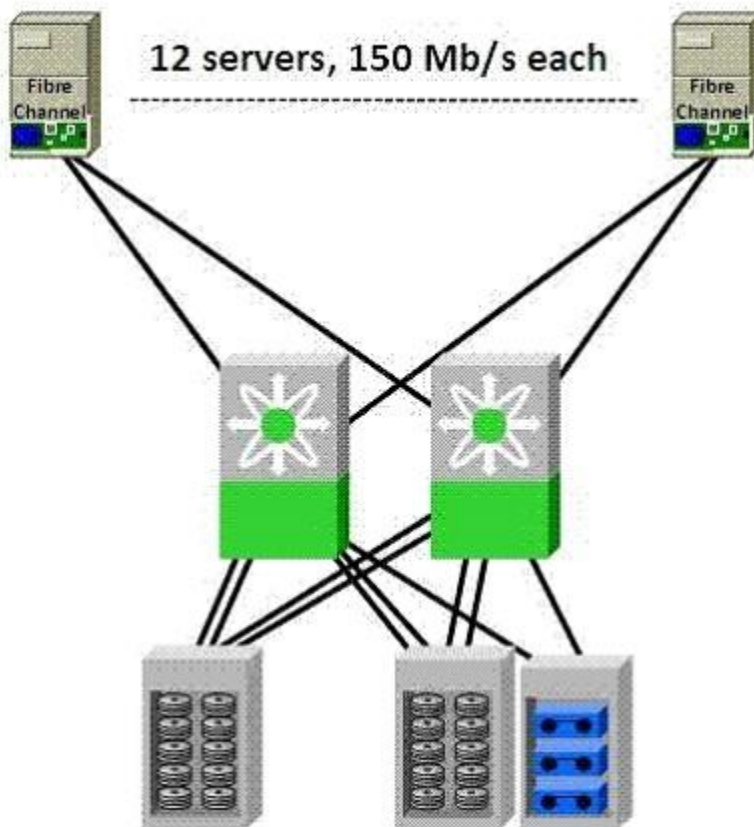
- A. Cisco MDS 9124

- B. Cisco MDS 9506
- C. Cisco MDS 9509
- D. Cisco MDS 9513
- E. Cisco MDS 9222i

Answer: AE

QUESTION 5

Refer to the exhibit. A customer has 12 hosts, each capable of a sustained I/O rate of 150 MB/s. A customer wants to connect these hosts to the fabric with a 44/4-port line card. What is the maximum number of hosts that should be connected to any 12-port port group for optimal performance?



- A. 1
- B. 4
- C. 6
- D. 12

Answer: C

QUESTION 6

Your customer has implemented an IPS-8 for iSCSI connectivity to workgroup servers. How can this customer prevent unauthorized hosts from connecting to the Cisco MDS 9000 fabric through

the iSCSI interfaces?

- A. Configure RADIUS authentication
- B. Configure IPSec encryption on the IPS-8
- C. Configure IP ACLs on the IPS-8
- D. Configure fabric binding on the IPS-8

Answer: C

QUESTION 7

What is the principal cost advantage of a collapsed core SAN design compared to a core-edge design if each connects the same number of host and storage ports?

- A. fewer hops for a given exchange
- B. fewer long-wave SFPs
- C. fewer ISL connections
- D. fewer domains on the domain list
- E. fewer director-class switches

Answer: C

QUESTION 8

A customer is about to deploy a primary and secondary data center using the service provider's network to connect the data center's IP and Fibre Channel networks to connect the SAN island with FCIP tunnels. What should the service provider's equipment support to maximize the FCIP throughput with minimum overhead?

- A. FCoE
- B. jumbo frames
- C. FC read/write acceleration
- D. Extended BB_Credits

Answer: B

QUESTION 9

Which switches are software-based devices?

- A. Cisco Nexus 5010
- B. Cisco Nexus 5020
- C. Cisco Nexus 1000V
- D. Cisco Nexus 2000

Answer: C

QUESTION 10

What is the prerequisite for accessibility, when a customer has a Cisco MDS 9222i switch deployed in two different locations with the mgmt0 port located in the management VLAN?

- A. ACLs should be properly configured.
- B. IP routes in management network should point to the remote location.
- C. RADIUS server should be authenticating the Cisco MDS switches.
- D. Each Cisco MDS switch should have individual VSANs.

Answer: B

Thank You for Trying Our Product

Lead2pass Certification Exam Features:

- ★ More than **99,900** Satisfied Customers Worldwide.
- ★ Average **99.9%** Success Rate.
- ★ **Free Update** to match latest and real exam scenarios.
- ★ **Instant Download** Access! No Setup required.
- ★ Questions & Answers are downloadable in **PDF** format and **VCE** test engine format.
- ★ Multi-Platform capabilities - **Windows, Laptop, Mac, Android, iPhone, iPod, iPad.**
- ★ **100%** Guaranteed Success or **100%** Money Back Guarantee.
- ★ **Fast**, helpful support **24x7**.



View list of all certification exams: <http://www.lead2pass.com/all-products.html>



Microsoft



ORACLE



CITRIX



JUNIPER
NETWORKS



EMC²
where information lives[®]

10% Discount Coupon Code: ASTR14