



Vendor: HP

Exam Code: HP0-093

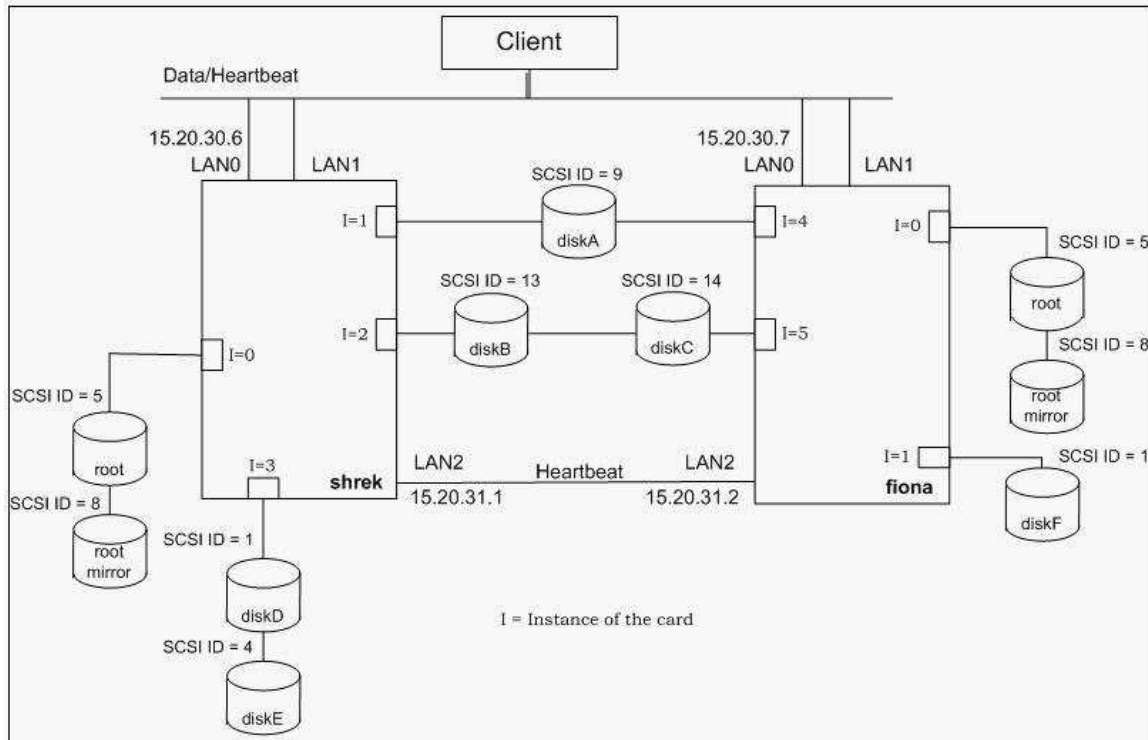
Exam Name: HP-UX High Availability

Version: DEMO

QUESTION 1

Use the information provided in the Cluster Configuration Diagram to answer the following question.

Which commands can be used to build a cluster configuration file under /etc/cmcluster called cluster.ascii. Select TWO.



- A. `cmquerycl -C /etc/cmcluster/cluster.ascii -n 15.20.30.6 -n 15.20.30.7`
- B. `cmquerycl -C /etc/cmcluster/cluster.ascii -n 15.20.30.6 -n 15.20.30.7 -v`
- C. `cmmakecl -C /etc/cmcluster/cluster.ascii -n shrek -n fiona`
- D. `cmmakecl -C /etc/cmcluster/cluster.ascii -n shrek -n fiona -v`
- E. `cmquerycl -C /etc/cmcluster/cluster.ascii -n shrek -n fiona`
- F. `cmquerycl -C /etc/cmcluster/cluster.ascii -n shrek -n fiona -v`

Answer: EF

QUESTION 2

In the context of high availability, which phrase describes mean time to failure?

- A. the amount of time to indefinitely restart a failed service
- B. the amount of time a system can provide service without failure
- C. the amount of time to stop a service after a failure has been experienced
- D. the amount of time to resume service after a failure has been experienced

Answer: B

QUESTION 3

In the context of high availability, what is the affect of split-brain syndrome?

- A. different applications accessing the same disks simultaneously
- B. two clusters initiate an application that accesses the same disks
- C. different users of an application accessing the same disks consecutively
- D. two sub-clusters initiated from a single cluster without knowledge of each other

Answer: D

QUESTION 4

While performing a rolling Serviceguard software upgrade, which statements are true? Select TWO.

- A. You need at least two nodes running the same Serviceguard release.
- B. You must change the cluster configuration as each node is updated.
- C. You cannot change the cluster configuration files.
- D. You may have up to three versions of Serviceguard running.
- E. You cannot use the new features of the new Serviceguard release.

Answer: CE

QUESTION 5

Click the Exhibit button. Based on the cmviewcl output, how many times can the package service oracle9i be restarted for package ora_pkg?

- A. 0
- B. 1
- C. 2
- D. 3
- E. unlimited

Answer: B

QUESTION 6

A server node in an Serviceguard cluster contains three LAN interface cards; two 100baseT Ethernet NICs and one 1000baseT gigabit Ethernet NIC, with the intent of providing a high speed data LAN with redundancy. What is a consequence of this LAN configuration?

- A. The NICs for the data LAN and failover LAN must be identical.
- B. The gigabit Ethernet and the 100baseT NICs cannot share the same subnet.
- C. Three NICs are insufficient to provide redundancy for both the data and the heartbeat LAN.
- D. The data packet size on the gigabit Ethernet is larger than the 1000baseT NIC and therefore will cause additional network latency.

Answer: A

QUESTION 7

What is the correct way to shutdown node_a when it is part of a two node cluster? Current snapshot of the cluster:
node_a - pkg1 running

node_b - pkg2 running

- A. [node_a]#: cmhaltpkg pkg1
[node_b]#: cmhaltnode -f
[node_b]#: cmrunpkg -n node_b pkg1
[node_a]#: shutdown -h 0
- B. [node_a]#: cmhaltpkg pkg1
[node_b]#: cmrunpkg -n node_b pkg1
[node_a]#: cmhaltnode
[node_a]#: shutdown -h 0
- C. [node_b]#: cmhaltpkg pkg2
[node_a]#: cmhaltcl -f
[node_b]#: cmrunpkg -n node_b pkg1
[node_a]#: shutdown -h 0
- D. [node_b]#: cmhaltpkg pkg1
[node_a]#: cmhaltcl -f
[node_b]#: cmrunpkg -n node_b pkg1
[node_a]#: shutdown -h 0

Answer: B

QUESTION 8

Which commands move a package called pkg to the alternate nodeB?

- A. cmhaltpkg; cmrunpkg pkg
- B. cmhaltpkg; cmmvpkg -n nodeB pkg
- C. cmhaltpkg; cmrunpkg pkg; cmmodpkg -e pkg
- D. cmhaltpkg; cmrunpkg -n nodeB pkg; cmmodpkg -e pkg

Answer: D

QUESTION 9

What is the function of the lock disk in a Serviceguard cluster?

- A. ensures that Quorum occurs for a cluster formation
- B. determines which node becomes the cluster coordinator
- C. keeps track of which volume groups are activated on each node
- D. avoids the cluster splitting into two running clusters and corrupting data

Answer: D

Thank You for Trying Our Product

Lead2pass Certification Exam Features:

- ★ More than **99,900** Satisfied Customers Worldwide.
- ★ Average **99.9%** Success Rate.
- ★ **Free Update** to match latest and real exam scenarios.
- ★ **Instant Download** Access! No Setup required.
- ★ Questions & Answers are downloadable in **PDF** format and **VCE** test engine format.
- ★ Multi-Platform capabilities - **Windows, Laptop, Mac, Android, iPhone, iPod, iPad.**
- ★ **100%** Guaranteed Success or **100%** Money Back Guarantee.
- ★ **Fast**, helpful support **24x7**.



View list of all certification exams: <http://www.lead2pass.com/all-products.html>



Microsoft



ORACLE



CITRIX



JUNIPER
NETWORKS



EMC²
where information lives®

10% Discount Coupon Code: ASTR14