

Exam Code: e20-537

Exam Name: networked storage-ns exam for storage
adminsitrators

Vendor: EMC

Version: DEMO

Part: A

1: What is the fully functional state of a Virtual Data Mover?

- A.loaded
- B.mounted
- C.PermUnloaded
- D.TempUnloaded

Correct Answers: A

2: What is a recommended use for SnapSure?

- A.as a Disaster Recovery solution
- B.for production files system mirroring
- C.as a source for incremental backups
- D.for full production file system restores when the PFS is corrupted

Correct Answers: C

3: Which command is used to create a new user on the Data Mover for FTP?

- A.nas_user
- B.nas_newuser
- C.server_user
- D.server_ftpuser

Correct Answers: C

4: Which procedure configures Windows users' home directories on a Celerra CIFS server?

- A.Configure the homedir file with the path for each domain user
Enable the home directory option on the Data Mover
Export the appropriate path as the share name HOME
Edit the profile of each users account.
- B.Configure the homedir file with the path for each domain user
Enable the home directory option on the Data Mover
Create a directory in the correct location for each user
Edit the profile of each existing user's account.
- C.Configure the homedir file with the path for each domain
Export the path as the share name HOME
Enable the home directory option on the Data Mover
Edit the profile of each user account using the %user% variable
- D.Configure the homedir file with the path for each domain
Enable the home directory option on the Data Mover
Create a directory in the correct location for each user
Edit the profile of each user account using the %user% variable

Correct Answers: B

5: Which protocols are available when configuring DNS on a Data Mover?

- A.TCP and IP

- B.UDP and IP
- C.TCP and UDP
- D.UDP and ICMP

Correct Answers: C

6: With a Celerra, what is a file system creation requirement?

- A.a file system must reside on a non-root slice volume that is not in use
- B.a file system must reside on a non-root meta volume that is in use
- C.the slice volume must be at least 2 MB to accommodate a file system
- D.the meta volume must be at least 2 MB to accommodate a file system

Correct Answers: D

7: What is stored in a Virtual Data Mover's root file system?

- A.NTP
- B.Local Groups
- C.Usermapper configuration
- D.FTP root directory

Correct Answers: B

8: What is the default authentication method used in Windows Active Directory, Native Mode?

- A.LM
- B.NIS
- C.NTLM
- D.Kerberos

Correct Answers: D

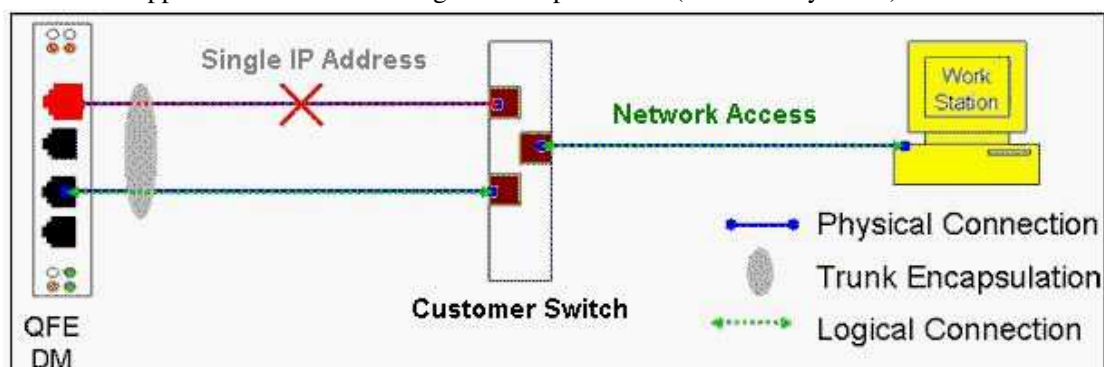
9: Which assigns the Fibre Channel WWN?

- A.Name server
- B.Operating system
- C.System Administrator
- D.Hardware manufacturer

Correct Answers: D

10: Click the Exhibit button.

What will happen if one of the trunking network paths fails (indicated by the X)?



- A.I/O will pass on both paths
- B.The Data Mover will failover
- C.All I/O will pass on active path only
- D.I/O will wait until the failed path becomes available

Correct Answers: C

11: Which two [2] methods stop all ICMP traffic to a network?

- A.Deny ICMP at a router
- B.Block ICMP at a switch
- C.Block the port on a firewall
- D.Enable VLAN ports at the switch

Correct Answers: A C

12: Which storage template is available in a NS Integrated system that uses ATA physical drives?

- A.CX_Standard_Raid_5
- B.CX_All_4Plus1_Raid_5
- C.ATA_CX_Standard_Raid_1
- D.ATA_RAID3_HS_4+1_8+1

Correct Answers: D

13: What is one characteristic of internal usermapper?

- A.runs on Control Station
- B.no separate installation required
- C.coexist with External usermapper is recommended
- D.requires post DART code installation on the Control Station from the Celerra Application disk

Correct Answers: B

14: What is the default type of a Celerra file system?

- A.ufs
- B.uxfs
- C.mgfs
- D.rawfs

Correct Answers: B

15: Celerra quotas are turned off. How does that affect the existing user and group quota information?

- A.it will be lost
- B.it is maintained
- C.it will still be active
- D.it becomes unavailable

Correct Answers: B